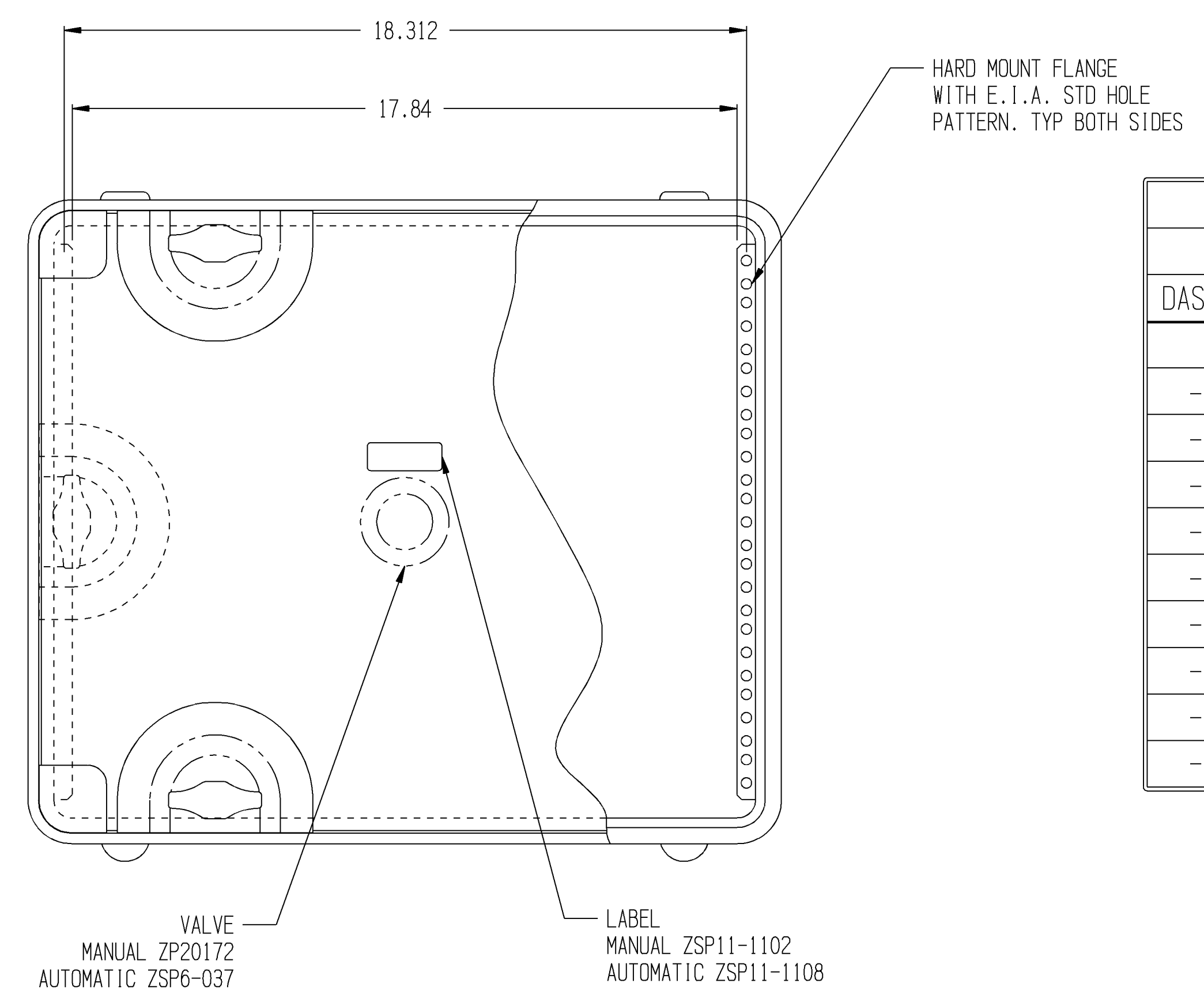
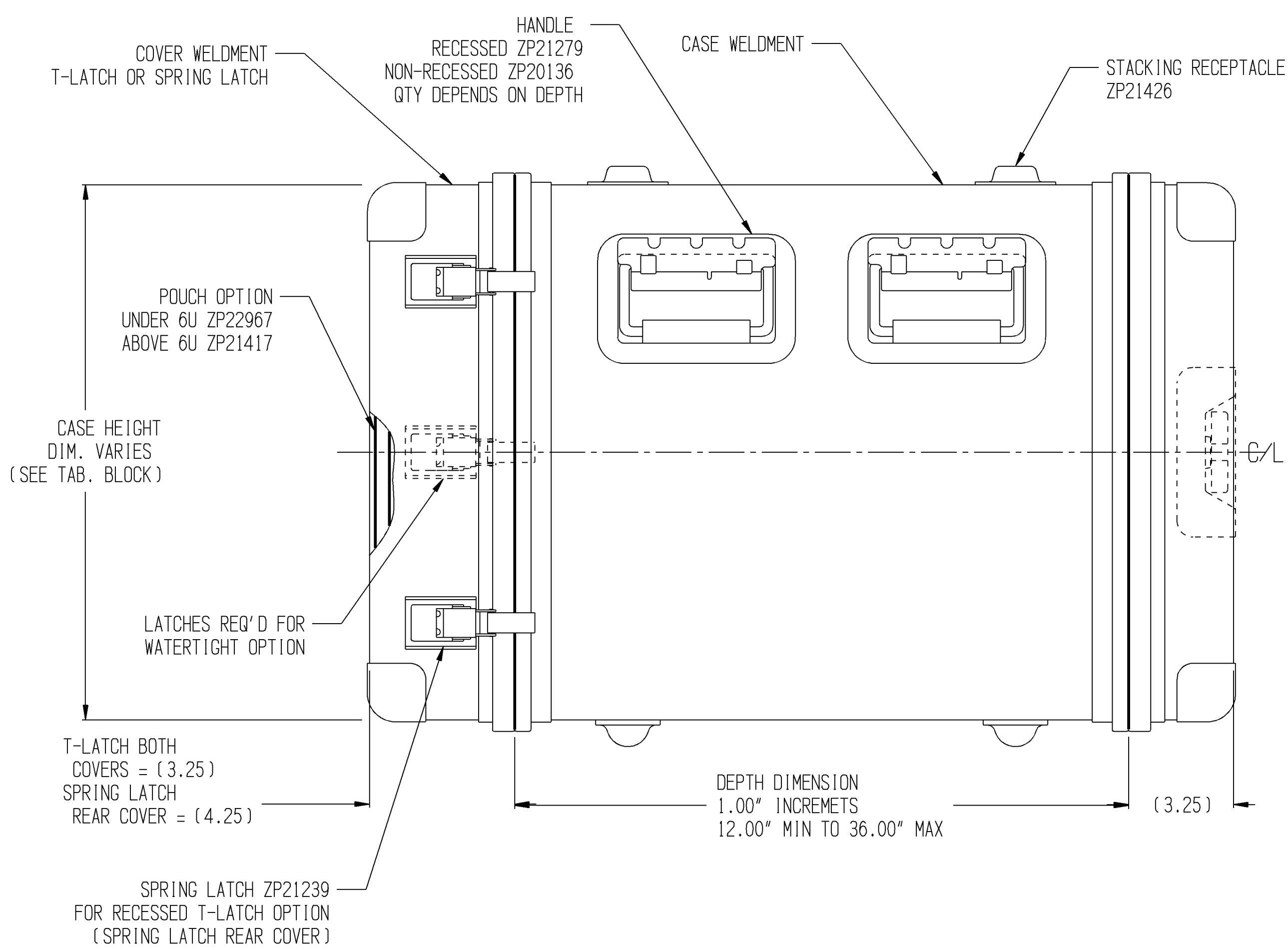
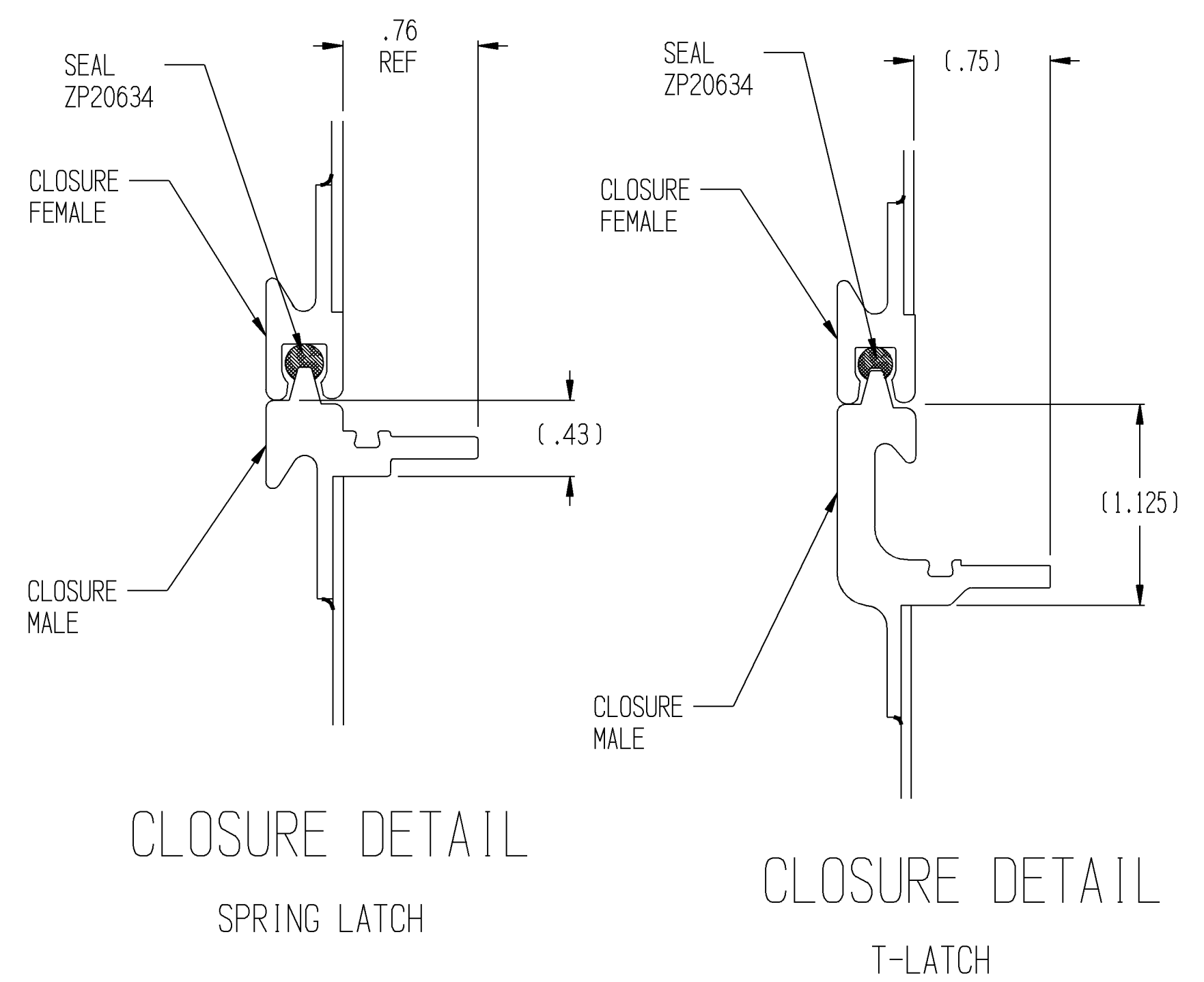
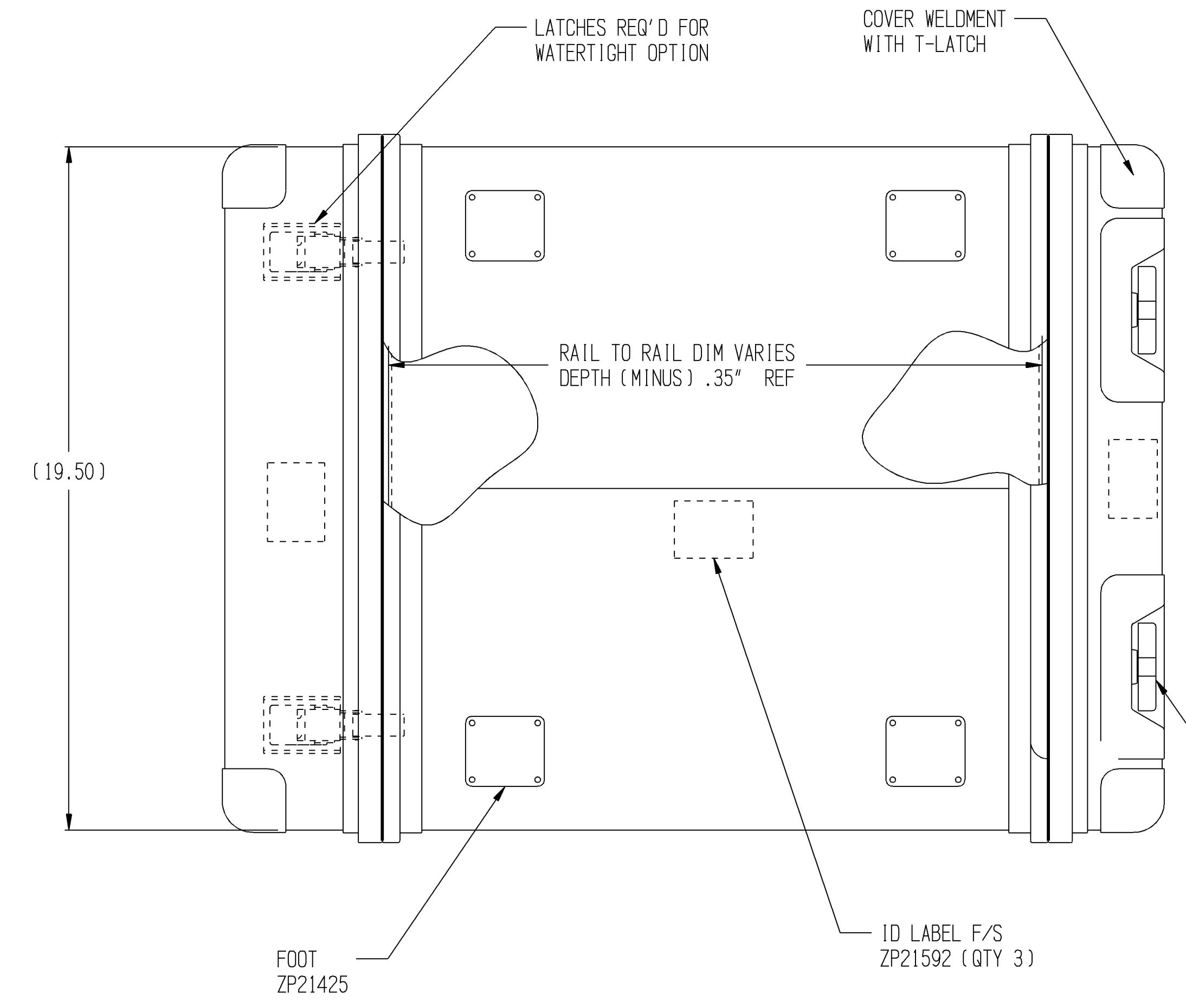


REVISIONS				
ZONE	REV	DESCRIPTION	DATE	APPROVED



TABULATION BLOCK			
PANEL HEIGHT			
DASH NO.	DIM	REF.	CASE HT.
-	SPECIAL SIZE		
-5	NOT AVAIL.		USE 910
-7	7.00	(4U)	7.87
-8	8.75	(5U)	9.62
-10	10.50	(6U)	11.37
-14	14.00	(8U)	14.87
-17	17.50	(10U)	18.37
-21	21.00	(12U)	21.87
-24	24.50	(14U)	25.37
-28	28.00	(16U)	28.87



NOTES

1. WATERTIGHT PER MIL-STD-108, ZERO TEST NO. 1
DRIP PROOF PER MIL-STD 108, NO TEST REQUIRED
2. CASES WITH PANEL HEIGHT 10U AND UNDER AND CENTER SECTION WITH DEPTH UNDER 22.00" LONG, USE .063" THICK MATERIAL.
CASES WITH PANEL HEIGHT OVER 10U AND CENTER SECTION WITH DEPTH OVER 22.00" LONG, USE .090" THICK MATERIAL.
3. CLIP NUT QUANTITY PER PANEL HEIGHT. SHIP LOOSE.
-5 QTY 20 -14 QTY 28 -28 QTY 60
-7 QTY 20 -17 QTY 28
-8 QTY 28 -21 QTY 32
-10 QTY 28 -24 QTY 32
4. SHIP CASE ASSY UNLATCHED IF NO VALVE REQUIRED.
5. MAXIMUM EQUIPMENT WEIGHT 150 LBS.
6. PROTECTION LEVEL: 30 G'S FROM 18" DROP HEIGHT.

This document and the drawings and the technical data contained hereon are the property of Zero Mfg. Inc., formerly APW Zero Cases, Zero Enclosures, and Zero Mfg. Co. Reproduction or dissemination in any form except as expressly authorized by the owner is forbidden. The holder agrees to return this document to the owner on demand.
Copyright by Zero Mfg. Inc.

UNLESS OTHERWISE SPECIFIED DIMENSIONS ARE IN INCHES
TOLERANCES ARE:
FRACTIONS DECIMALS ANGLES
+ 1/32 .XX ±.03 ± 1/2°
 .XXX ±.010

DO NOT SCALE DRAWING

ZERO ZERO MANUFACTURING, INC.
North Salt Lake, UT 84054

CASE ASSEMBLY
VAL-AN SERIES 900

SIZE CASE NO. **D1 98376** DWG. NO. **915**

SCALE 1:3 SHEET 1 OF 1

DWG. NO. 915 SH 1 REV.