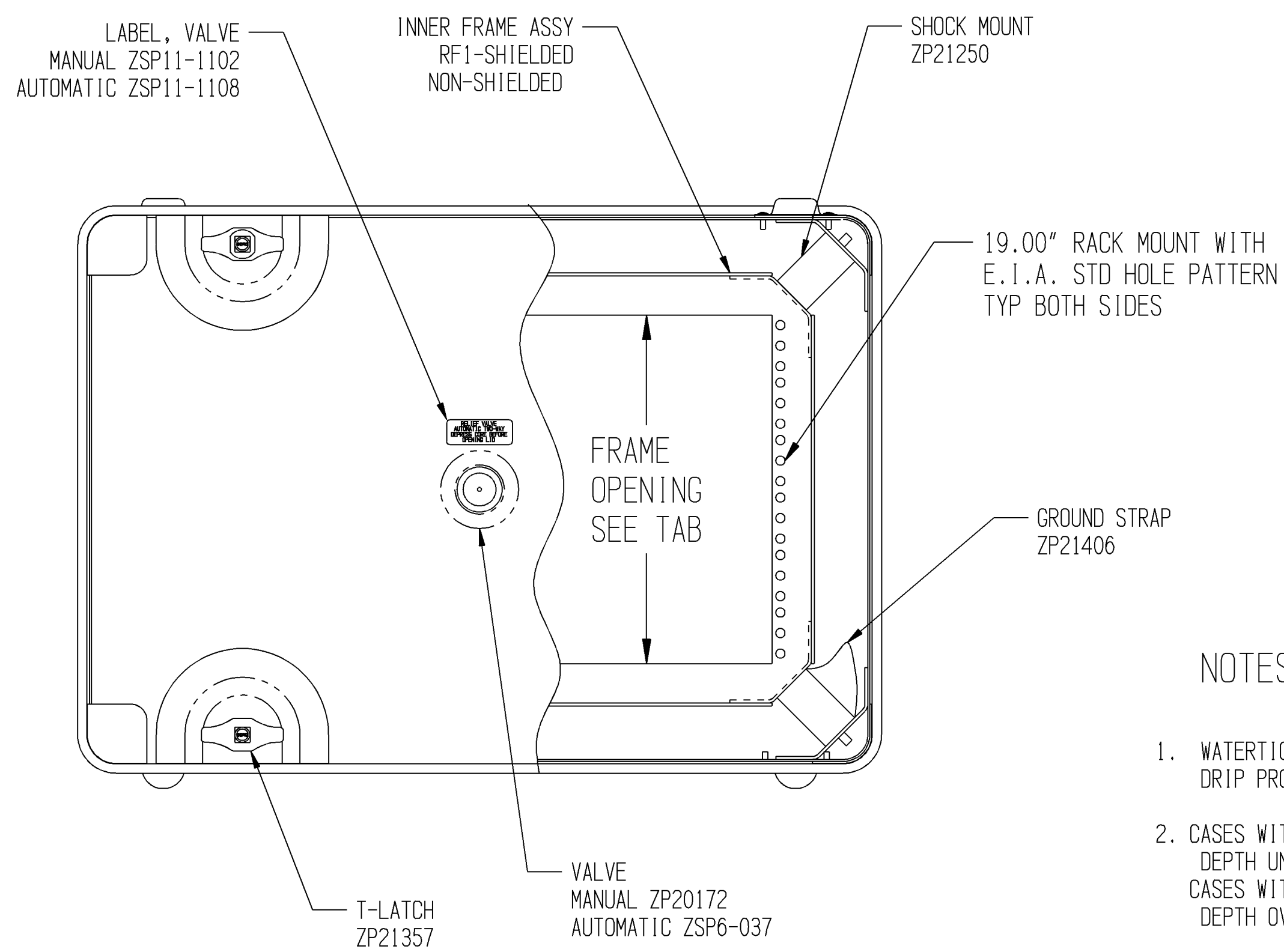
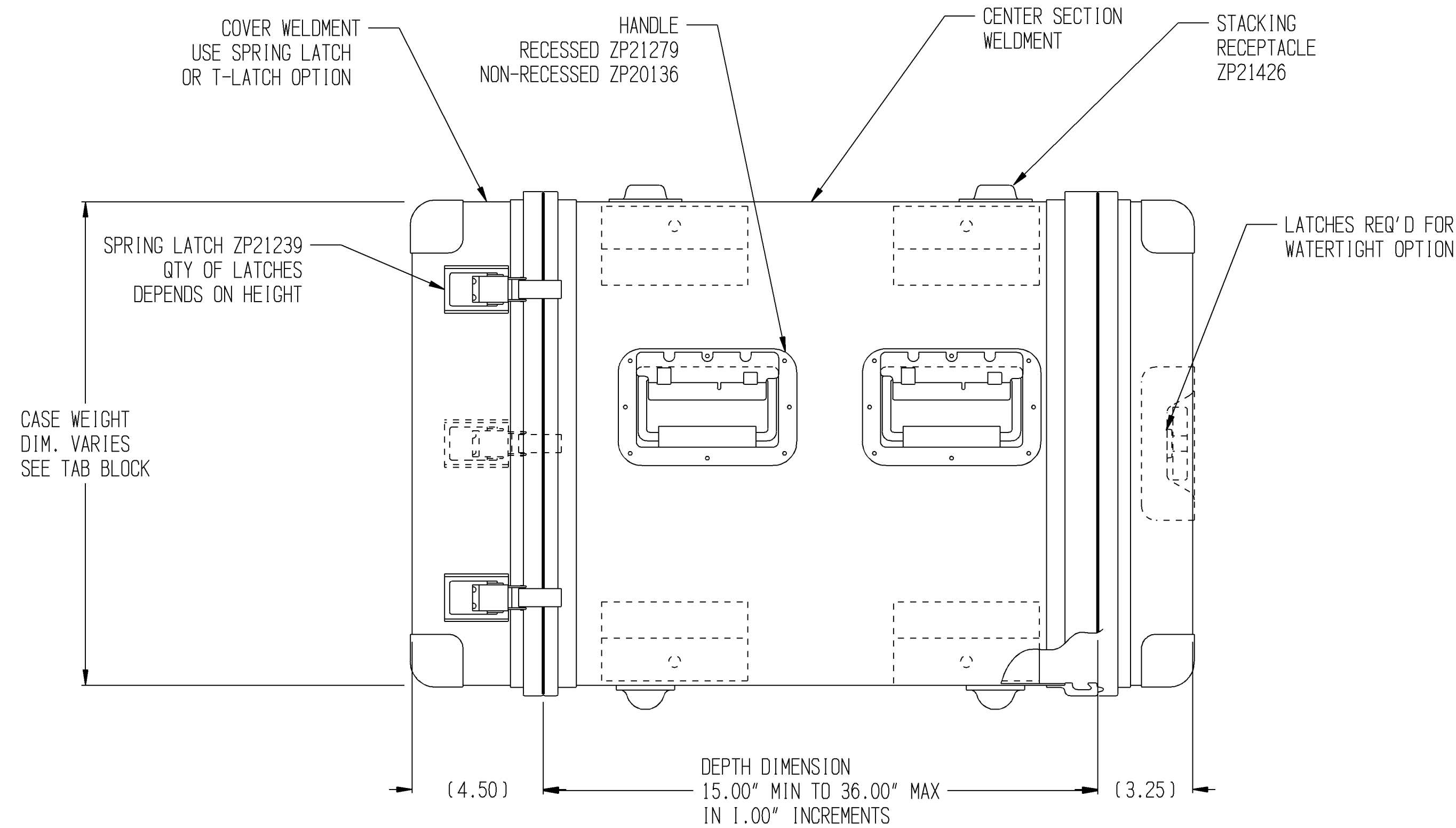
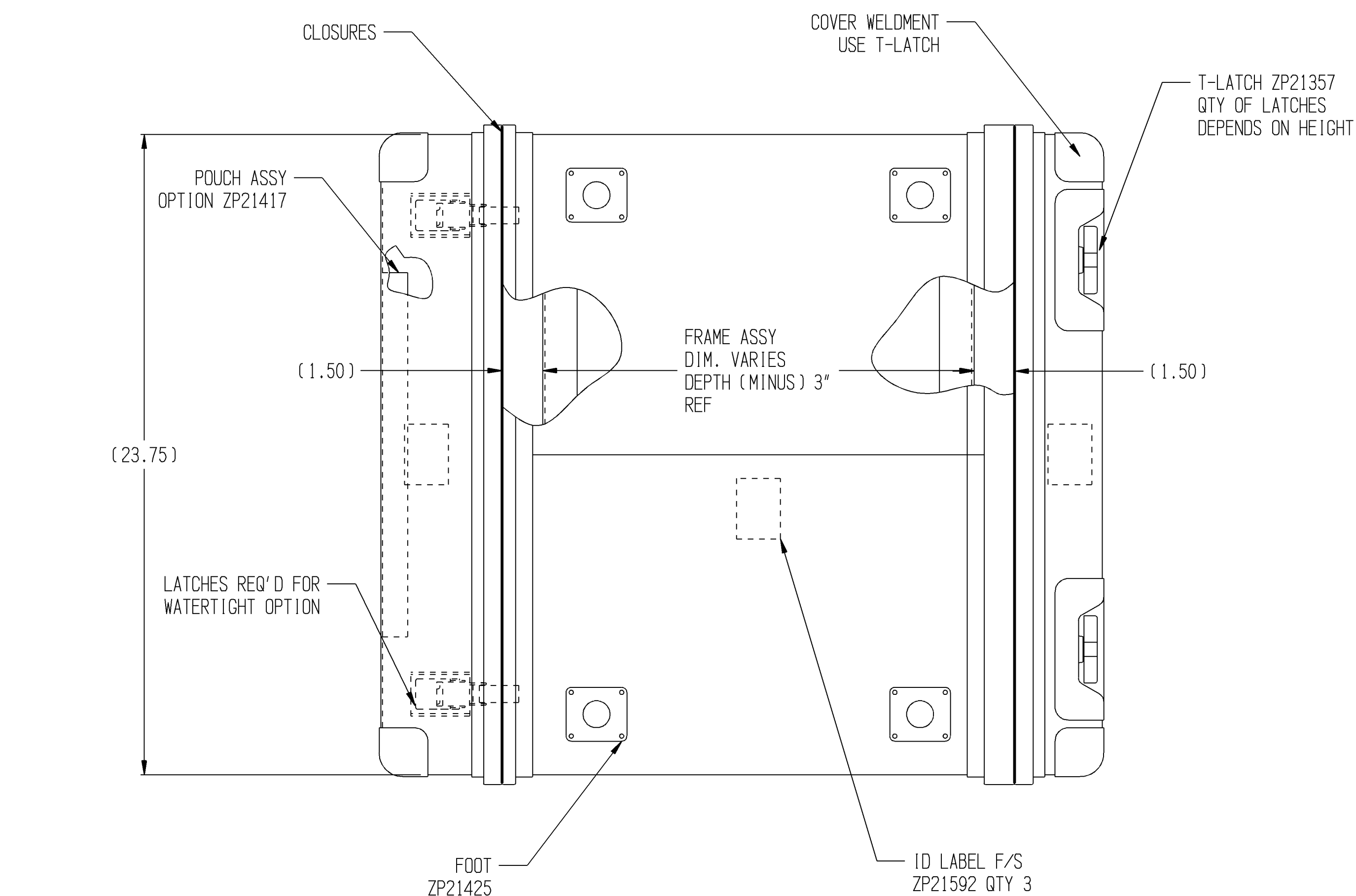


REVISIONS				
ZONE	REV	DESCRIPTION	DATE	APPROVED

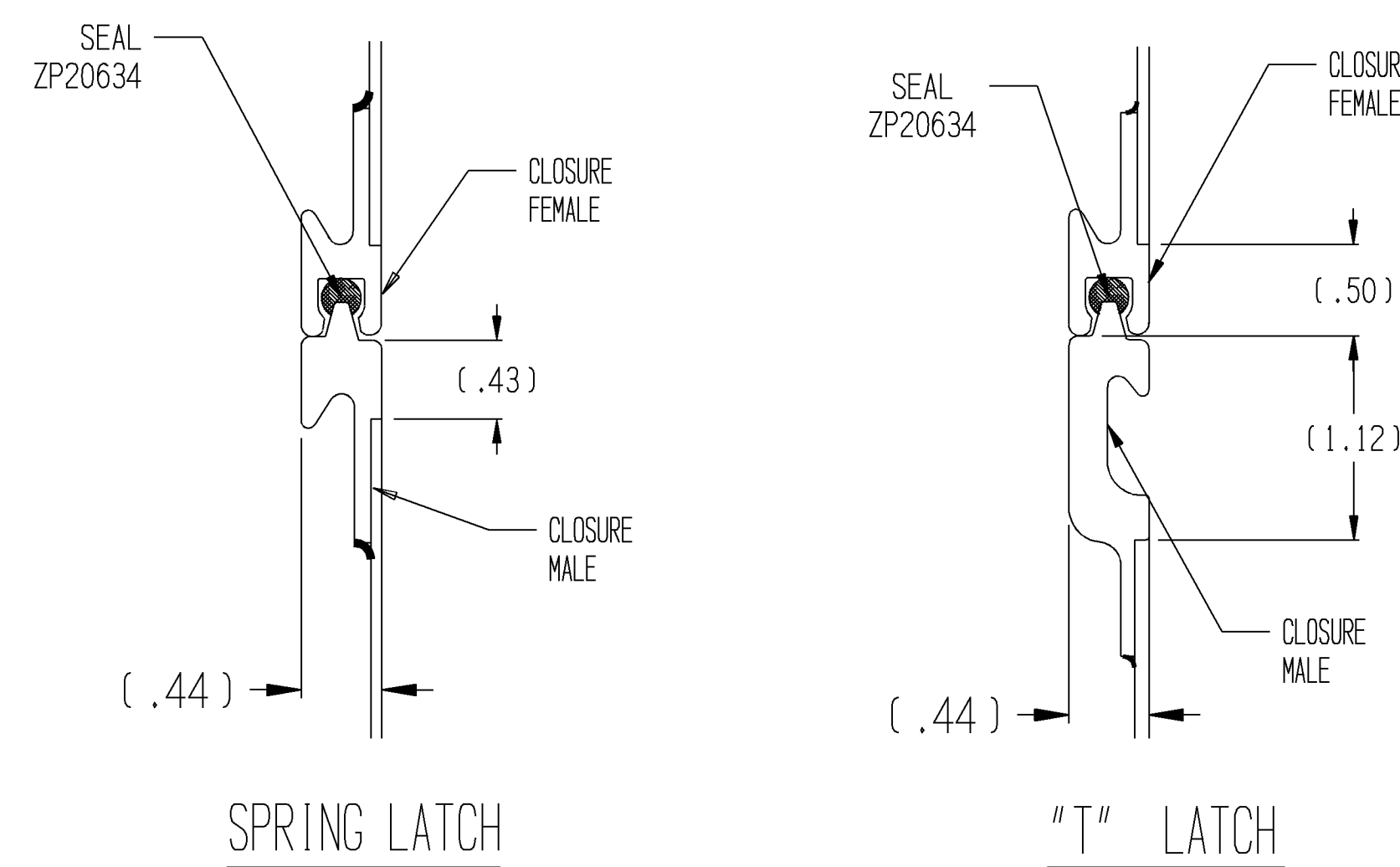


NOTES:

1. WATERTIGHT PER MIL-STD-108, ZERO TEST NO. 1 DRIP PROOF PER MIL-STD 108, NO TEST REQUIRED
2. CASES WITH PANEL HEIGHT 10U AND UNDER AND CENTER SECTION WITH DEPTH UNDER 22.00" LONG, USE .063" THICK MATERIAL. CASES WITH PANEL HEIGHT OVER 10U AND CENTER SECTION WITH DEPTH OVER 22.00 LONG, USE .090" THICK MATERIAL.
3. SHIP CASE UNLATCHED WHEN RELIEF VALVE NOT SUPPLIED.
4. MAXIMUM EQUIPMENT WEIGHT 150 LBS.
5. PROTECTION LEVELS: 30 G'S FROM 18.00" DROP HEIGHT.



CLOSURE STYLE



TAB BLOCK				
PANEL HEIGHT			CASE HEIGHT	FRAME OPENING REF
DASH NO	DIM	REF		
X	SPECIAL SIZE			
5	5.25	(3U)	11.31	5.37
7	7.00	(4U)	13.06	7.12
8	8.75	(5U)	14.81	8.87
10	10.50	(6U)	16.56	10.62
14	14.00	(8U)	20.06	14.12
17	17.50	(10U)	23.56	17.62
21	21.00	(12U)	27.06	21.12
24	24.50	(14U)	30.56	24.62
28	28.00	(16U)	34.06	28.12

UNLESS OTHERWISE SPECIFIED DIMENSIONS ARE IN INCHES TOLERANCES ARE:
 FRACTIONS DECIMALS ANGLES
 ± 1/32 .XX ±.03 ± 1/2°
 .XXX ±.010 -

This document and the drawings and the technical data contained hereon are the property of Zero Mfg. Inc., formerly APV Zero Cases, Zero Enclosures, and Zero Mfg. Co. Reproduction or dissemination in any form except as expressly authorized by the owner is forbidden. The holder agrees to return this document to the owner on demand.
 Copyright by Zero Mfg. Inc.

DO NOT SCALE DRAWING

ZERO ZERO MANUFACTURING, INC.
 North Salt Lake, UT 84054

CASE ASSEMBLY
 VAL-AN SERIES 900

SIZE CASE NO. DWG. NO.
 D | 98376 955
 SCALE 3.5 CUSTOMER SHEET 1 OF 1