

- Shock mounted or hard mounted configurations.
- Choice of EMI shielded or environmentally-protected panels
- Front and rear access through removable covers.
- 7 basic styles, in panel heights from 5.25" to 17.50".
- 19" panel width, with standard EIA hole pattern.
- Waterproof construction.
- Meets applicable requirements of MIL-STD-108, MIL-STD-810, and MIL-PRF-28800.

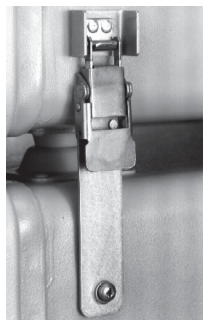
This versatile line of rugged aluminum cases have been thoughtfully engineered to satisfy the growing need for rackmounted electronics in the field. They are ideal for the safe transportation and field operation of delicate electronic instruments, and offer a host of practical user benefits.

They feature an internal chassis, which is either hard mounted or shock mounted within the center section of the case. Installation or rack mounted equipment is quick and easy, with total accessibility from the front and rear. In transit or storage, instrument panels are thoroughly protected by covers which are latched to the case.

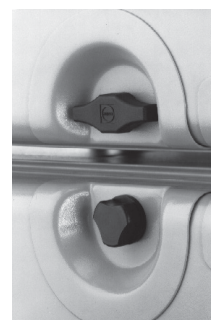
The cases are designed to be stacked, allowing users to set up a "cabinet" type system in the field. Specially designed T-type latches on the front cover permit accessibility to instruments and contents in the stacked mode; virtual impossibility in cases using traditional latch systems.

These cases feature recessed handles, waterproof construction with pressure relief valve, and optional EMI shielding or environmental protection.

They are available in 13 standard configurations, in panel heights from 5.25" to 17.50", and depths from 12.00" to 22.00". Front or rear covers may be optionally equipped with inner lids for storage.



Stacking Latch



Top: T-Latch
Bottom: Scrow Latch



Grounding Strap
Included in Every
Cases with Frame



www.zerocases.com
Call 800-959-5050 or 801-298-5900

VAL-AN 900 SERIES

HOW TO CHOOSE A RACKMOUNT

VAL-AN

MODEL	DESCRIPTION	HARD MOUNT	SHOCK MOUNT
900	Front Opening Case with Standard Spring-Loaded Latches.	v'	
905	Front Opening Case with 'R Handle Latches.	v'	
910	Double-Ended Opening Case with Standard Spring Latches.	v'	
915	Double-Ended Opening Case with 'T' Handle Latches on Front Cover & Standard Spring Latches on Rear Cover.	v'	
920	Front Opening Case with Standard Spring Latches on Cover. Available with Mil-T-28800 Optional Bumpers.	v'	
925	Front Opening Case with 'R Handle Latches on Cover. Available with Mil-T-28800 Optional Bumpers.	v'	
930	Double-Ended Opening Case with Standard Spring Latches on Covers. Options: Mil-T-28800 Bumpers & Sealed Panel.	v'	
935	Double-Ended Case with Standard Spring and 'R Handle Latches on Covers. Options: Mil-T-28800 Bumpers & Sealed Panel.	v'	
940	Front Opening Case with Standard Spring Latches on Cover.		v'
945	Front Opening Case with 'R Handle Latches on Cover.		v'
950	Double-Ended Opening Case with Standard Spring Latches on Covers. Options: EMI Shielded Rack.		v'
955	Double-Ended Opening Case with Standard Spring and 'T' Handle Latches on Covers. Options: EMI Shielded Rack.		v'
960	Double-Ended Opening Case with 'T' Handle & Screw Latches on Covers. Optional Stacking Latches Available.		v'

STANDARD FINISH OPTIONS Finish, except latches, handle grip, hinges and valve.

POWDERCOAT PAINT

RECOMMENDED

BK-Black 27040
 DB-Dark Blue 25102
 DS-Desert Sand 20372
 FG-Forest Green 24052
 GR-Gray 26270
 MB-Medium Blue 25190
 NG-NATO Green RAL6014
 OD-Olive Drab 24097
 OR-Orange 21400
 RD-Red 21105
 WH-White 27925
 YW-Yellow 23785
 FED-STD-595 for reference.

RHINOLINING™

RB-Black
 RG-Gray

MIL-SPEC FINISHES

A-No Finish.
 B-Wash Prime per DOD-P-15328 and Epoxy Primer per MIL-PRF-23377, Type 1, Class C2.
 C-Same as B Plus Paint Light Gray Semi-Gloss Polyurethane Color #26307 of FED-STD-595.
 D-Same as B Plus Paint Light Gray Semi-Gloss Polyurethane Color #16307 of FED-STD-595.
 E-Wash Prime per DOD-P-15328 and Epoxy Primer per MIL-DTL-53022, Type II, Paint Polyurethane Yellow Gloss Color #13538 of FED-STD-595.
 F-Same as B Plus Paint Strata Blue Gloss Polyurethane Color #15045 of FED-STD-595.
 G-Same as B Plus Paint Green Semi-Gloss Polyurethane Color #24300 of FED-STD-595.

H-Same as B Plus Paint Olive Drab Semi-Gloss Polyurethane Color #24084 of FED-STD-595.

J-Same as B Plus Paint Olive Drab Lusterless Polyurethane Color #34088 of FED-STD-595.

K-Same as B Plus Paint Aliphatic Polyurethane Camouflage Coating (CARC) per MIL-DTL-53039, Type II, Color #383 Green, #34094 of FED-STD-595.

S-Special Order—Please Specify.

W-Chemical Film Per MIL-DTL-5541, Type I, Class 1A. Epoxy Primer per MIL-DTL-53022, Type II, or Water-base Epoxy Primer per MIL-DTL-53030, Type I. Paint with White Polyurethane Coating per MIL-PRF-85285, Type II, Class H, Color #17925 of FED-STD-595 or Epoxy Coating Per MIL-PRF-22750.

UA-Chem Film per MIL-DTL-5541, Type1, Class 1A.

CUSTOMIZATION

Any commercial or military specification can be met. ZERO can supply any color per FED-STD-595.

Panel Fabrication

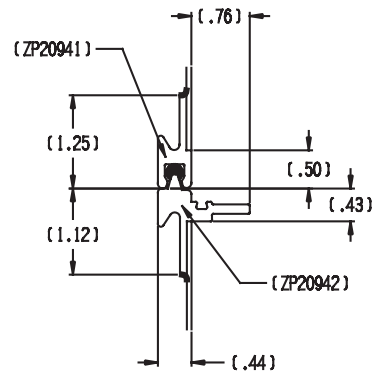
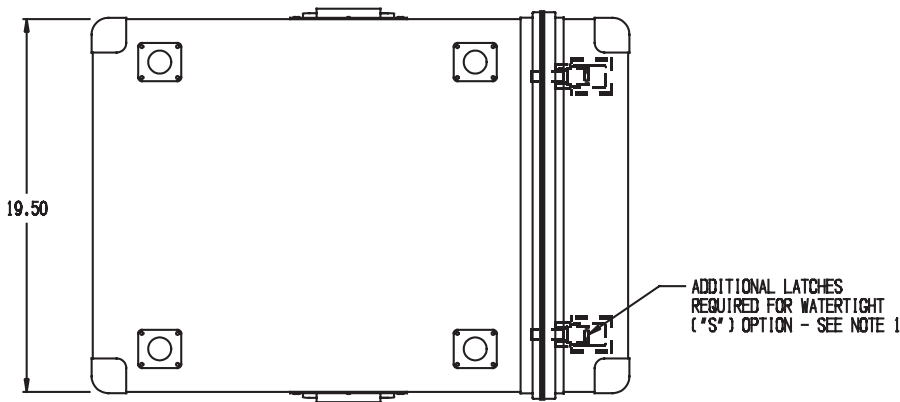
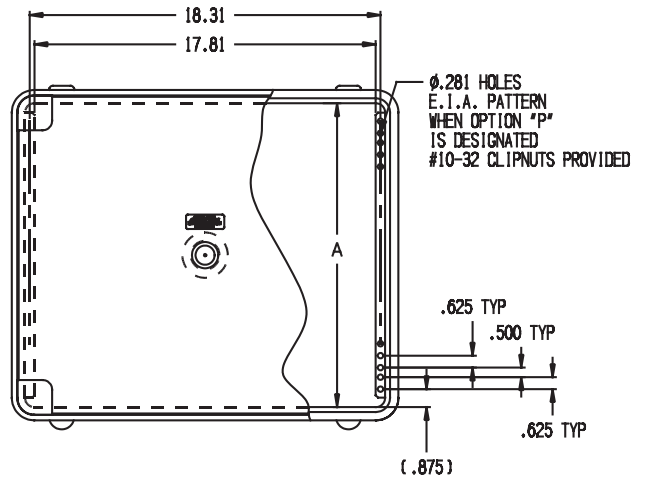
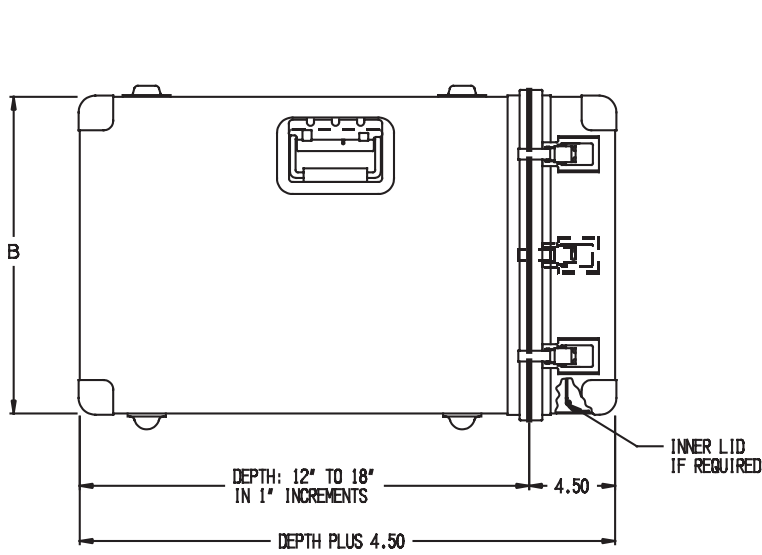
- Silk Screen
- Engraving
- Custom Fabrication

Case Customization

- Stenciling
- Designation Printing
- Decals/Labels
- Silk Screen



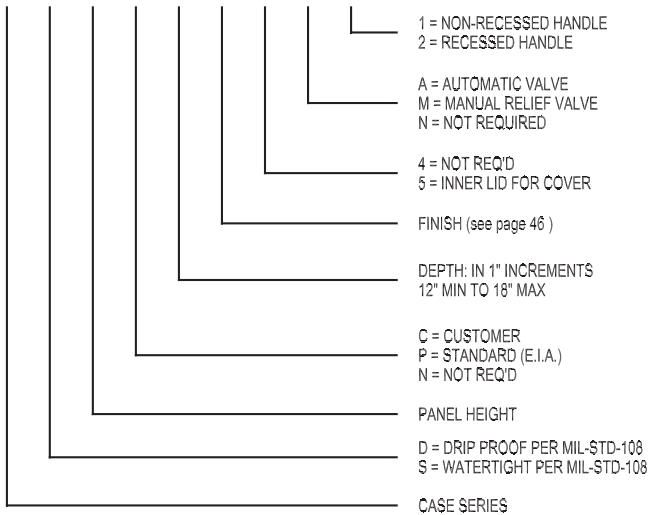
VAL-AN 900 Series - Model 900



CLOSURE DETAIL

PART NUMBER

900



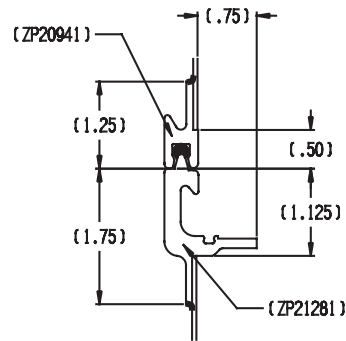
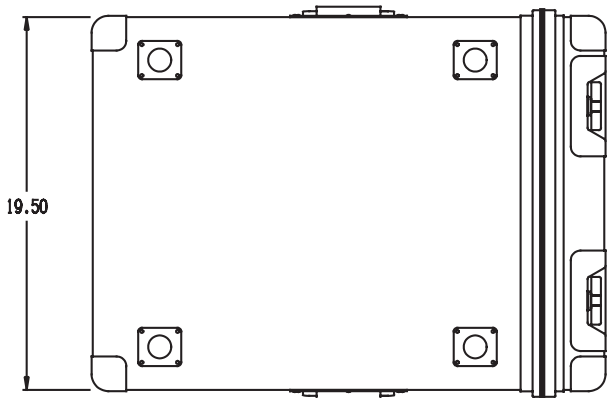
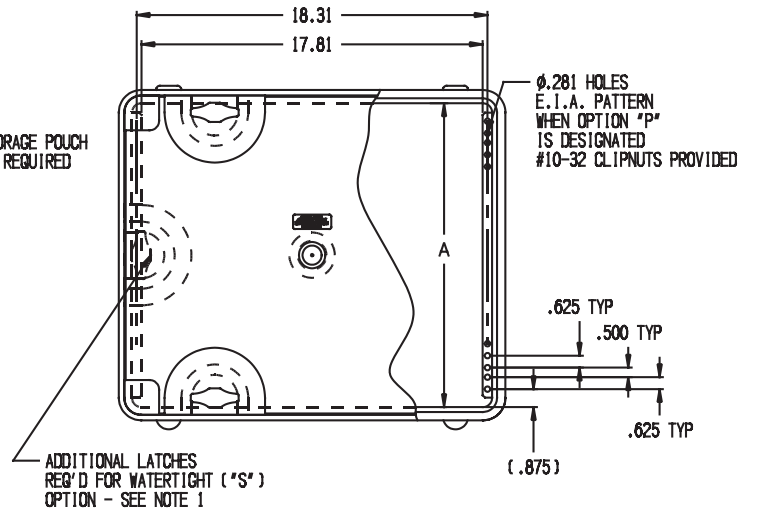
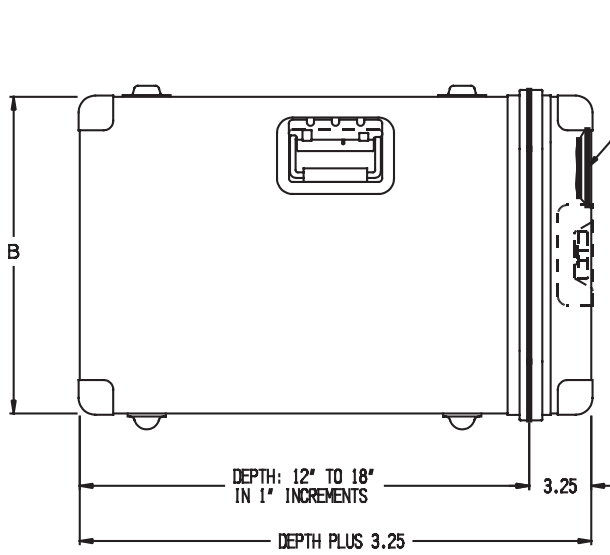
PANEL HEIGHT

Dash No.	"A" Dim.	"U" Size	"B" Dim.
X	Special Size		
-5	5.25	(3U)	6.12
-7	7.00	(4U)	7.87
-8	8.75	(5U)	9.62
-10	10.50	(6U)	11.37
-14	14.00	(8U)	14.87
-17	17.50	(10U)	18.37
-21	21.00	(12U)	21.87
-24	24.50	(14U)	25.37
-28	28.00	(16U)	28.87

NOTES:

- ADDITIONAL LATCHES REQUIRED FOR WATERTIGHT ("S") OPTION.
 PANEL HEIGHT DASH NO. 5 THRU 7 ADD: 4 LATCHES (8 TOTAL)
 PANEL HEIGHT DASH NO. 8 THRU 17 ADD: 4 LATCHES (8 TOTAL)
 PANEL HEIGHT DASH NO. 21 THRU 28 ADD: 6 LATCHES (10 TOTAL)

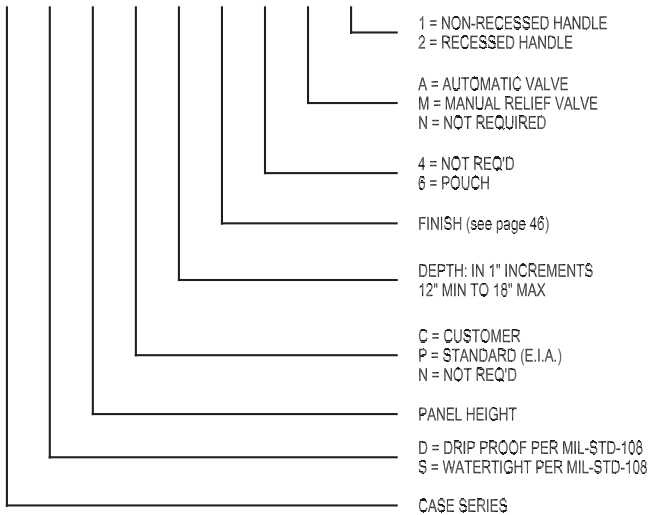
VAL-AN 900 Series - Model 905



CLOSURE DETAIL

PART NUMBER

905

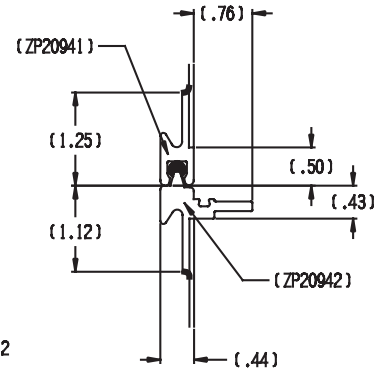
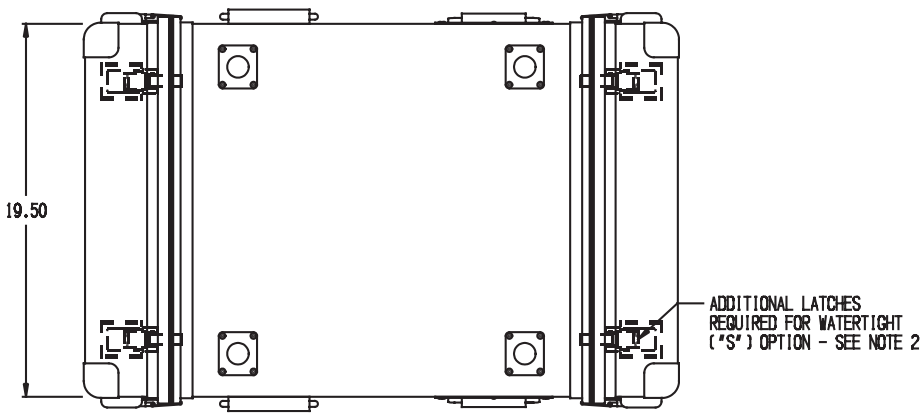
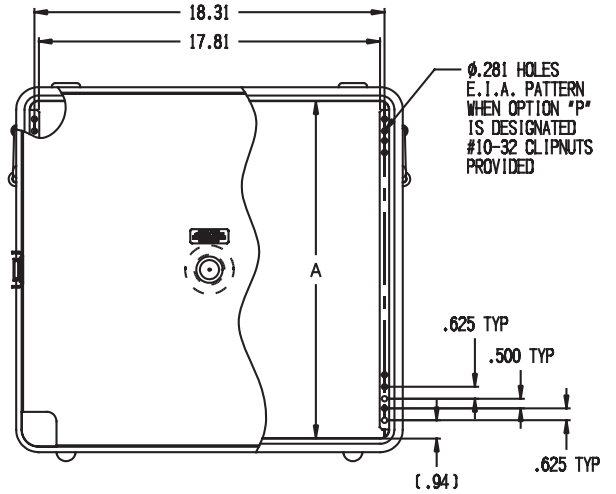
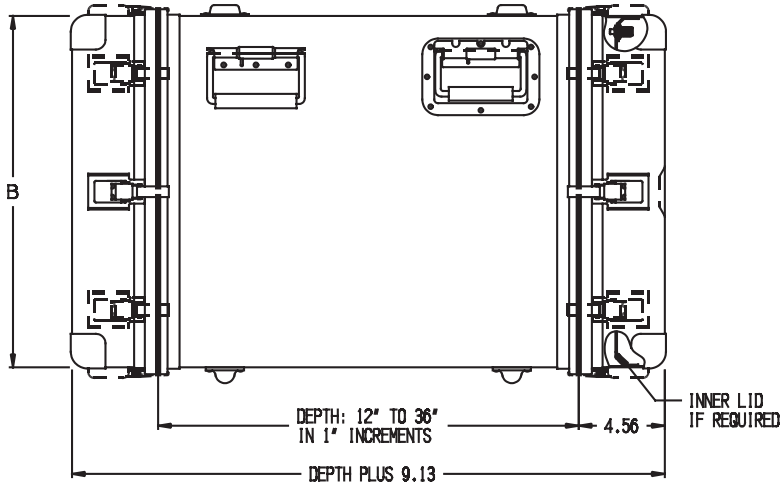


PANEL HEIGHT			
Dash No.	"A" Dim.	"U" Size	"B" Dim.
X	Special Size		
-7	7.00	(4U)	7.87
-8	8.75	(5U)	9.62
-10	10.50	(6U)	11.37
-14	14.00	(8U)	14.87
-17	17.50	(10U)	18.37
-21	21.00	(12U)	21.87
-24	24.50	(14U)	25.37
-28	28.00	(16U)	28.87

NOTES:

- ADDITIONAL LATCHES REQUIRED FOR WATERTIGHT ("S") OPTION.
PANEL HEIGHT DASH NO. 14 THRU 28 ADD: 2 LATCHES (6 TOTAL)

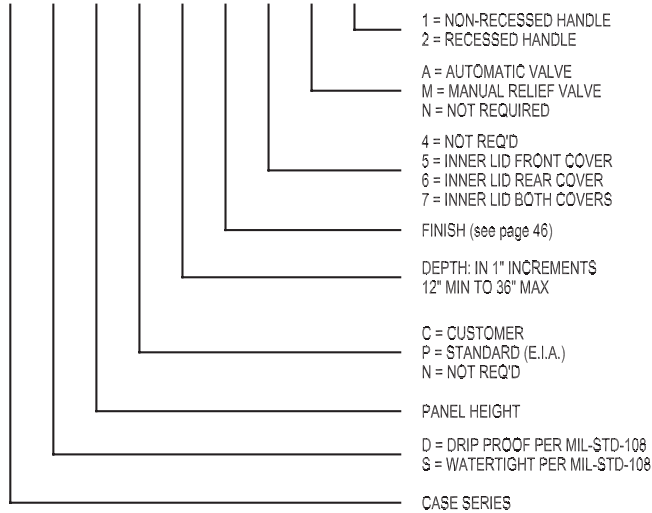
VAL-AN 900 Series - Model 910



CLOSURE DETAIL

PART NUMBER

910

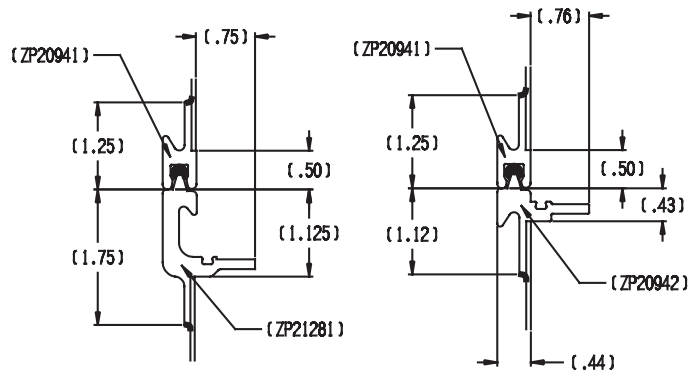
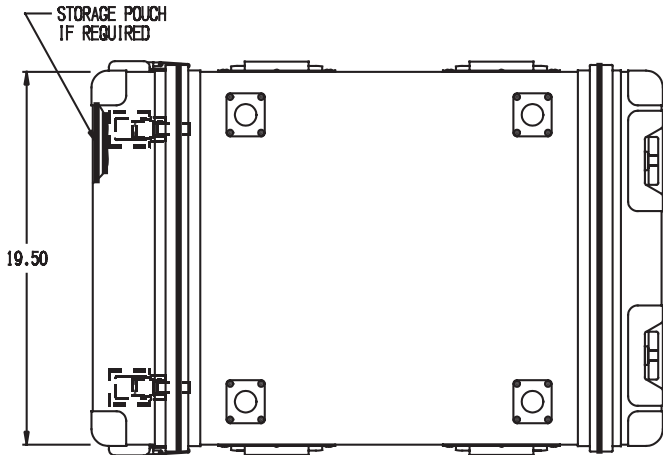
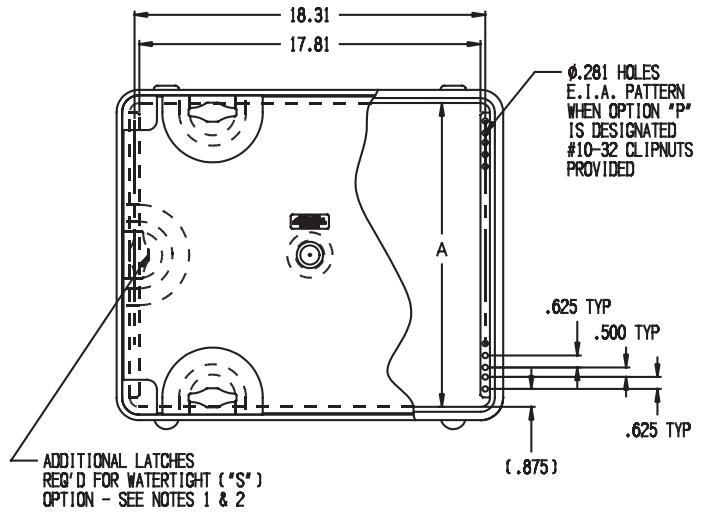
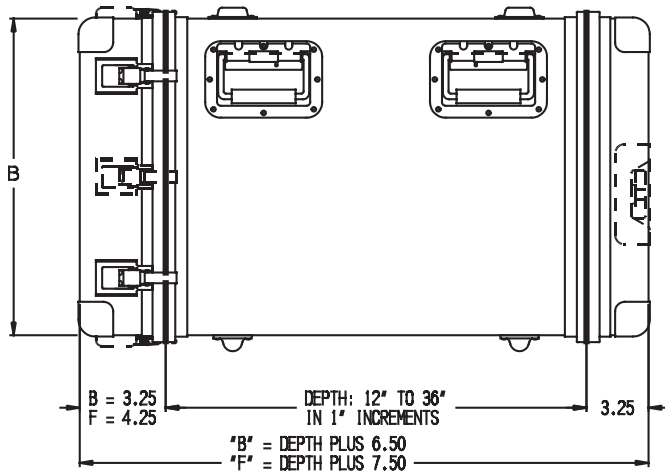


PANEL HEIGHT			
Dash No.	"A" Dim.	"U" Size	"B" Dim.
X	Special Size		
-5	5.25	(3U)	6.12
-7	7.00	(4U)	7.87
-8	8.75	(5U)	9.62
-10	10.50	(6U)	11.37
-14	14.00	(8U)	14.87
-17	17.50	(10U)	18.37
-21	21.00	(12U)	21.87
-24	24.50	(14U)	25.37
-28	28.00	(16U)	28.87

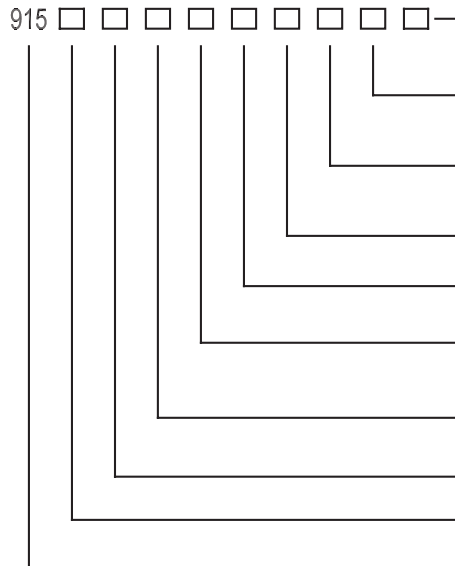
NOTES:

1. HANDLES:
2 REQUIRED FOR DEPTHS OF 12 TO 18 INCHES.
4 REQUIRED FOR DEPTHS OF 19 TO 36 INCHES.
2. ADDITIONAL LATCHES REQUIRED FOR WATERTIGHT ("S") OPTION.
PANEL HEIGHT DASH NO. 5 THRU 8 ADD: 8 LATCHES (12 TOTAL)
PANEL HEIGHT DASH NO. 10 THRU 17 ADD: 8 LATCHES (16 TOTAL)
PANEL HEIGHT DASH NO. 21 THRU 28 ADD: 8 LATCHES (20 TOTAL)

VAL-AN 900 Series - Model 915



PART NUMBER



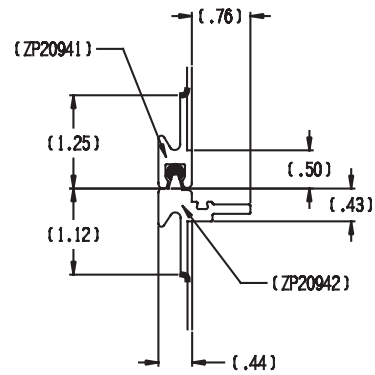
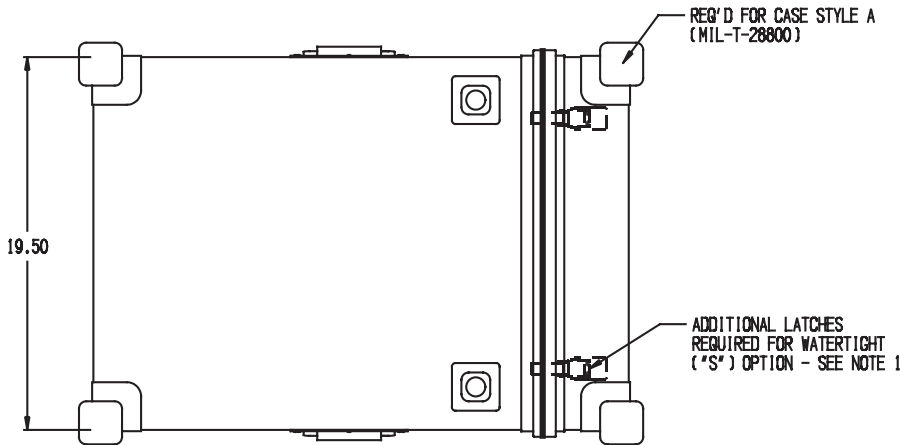
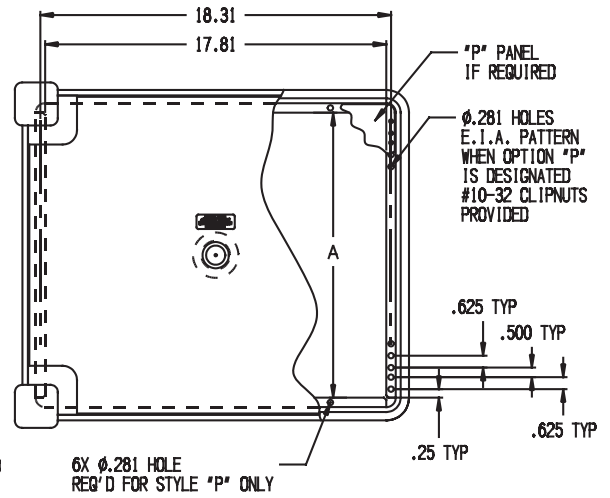
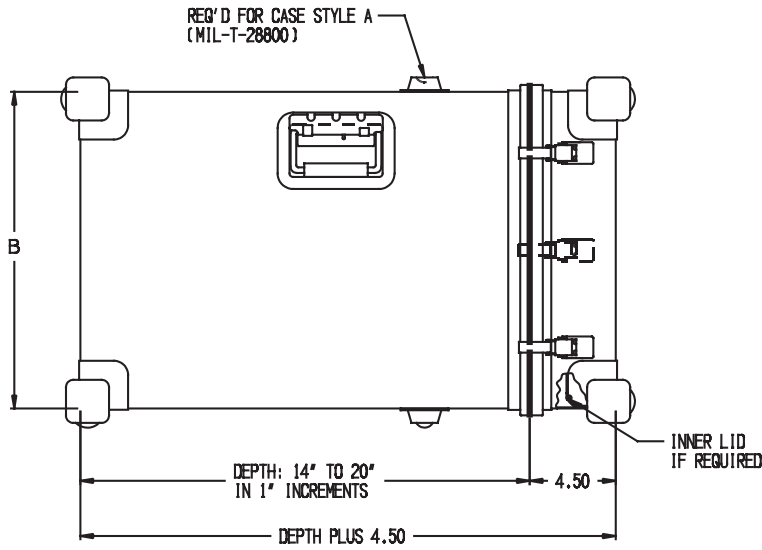
- B = BOTH COVERS "T" LATCH
- F = RECESSED "T" LATCH (SPRING LATCH REAR COVER)
- 1 = NON-RECESSED HANDLE
- 2 = RECESSED HANDLE
- A = AUTOMATIC VALVE
- M = MANUAL RELIEF VALVE
- N = NOT REQUIRED
- 4 = NOT REQ'D
- 6 = POUCH (REAR COVER ONLY)
- FINISH (see page 46)
- DEPTH: IN 1" INCREMENTS
12" MIN TO 36" MAX
- C = CUSTOMER
- P = STANDARD (E.I.A.)
- N = NOT REQ'D
- PANEL HEIGHT
- D = DRIP PROOF PER MIL-STD-108
- S = WATERTIGHT PER MIL-STD-108
- CASE SERIES

PANEL HEIGHT			
Dash No.	"A" Dim.	"U" Size	"B" Dim.
X	Special Size		
-7	7.00	(4U)	7.87
-8	8.75	(5U)	9.62
-10	10.50	(6U)	11.37
-14	14.00	(8U)	14.87
-17	17.50	(10U)	18.37
-21	21.00	(12U)	21.87
-24	24.50	(14U)	25.37
-28	28.00	(16U)	28.87

NOTES:

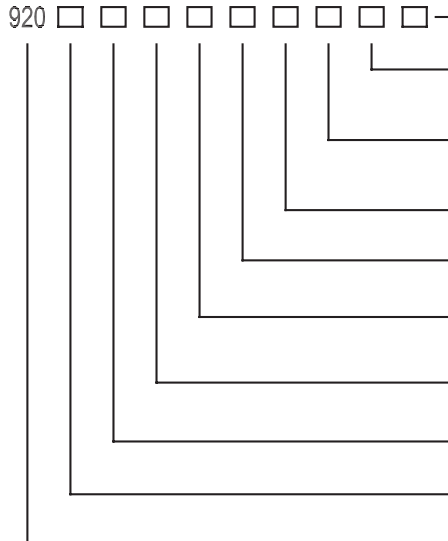
1. ADDITIONAL SPRING LATCHES REQUIRED FOR WATERTIGHT ("S") OPTION.
PANEL HEIGHT DASH NO. 5 THRU 8 ADD: 4 LATCHES (6 TOTAL)
PANEL HEIGHT DASH NO. 10 THRU 17 ADD: 4 LATCHES (8 TOTAL)
PANEL HEIGHT DASH NO. 21 THRU 28 ADD: 6 LATCHES (10 TOTAL)
2. ADDITIONAL "T" LATCHES REQUIRED FOR WATERTIGHT ("S") OPTION.
PANEL HEIGHT DASH NO. 14 THRU 28 ADD: 2 LATCHES (6 TOTAL)

VAL-AN 900 Series - Model 920



CLOSURE DETAIL

PART NUMBER



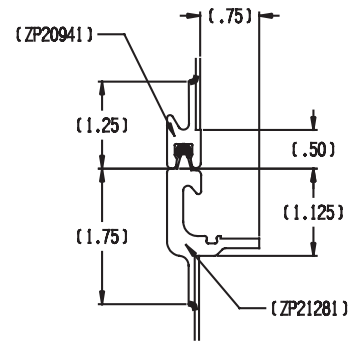
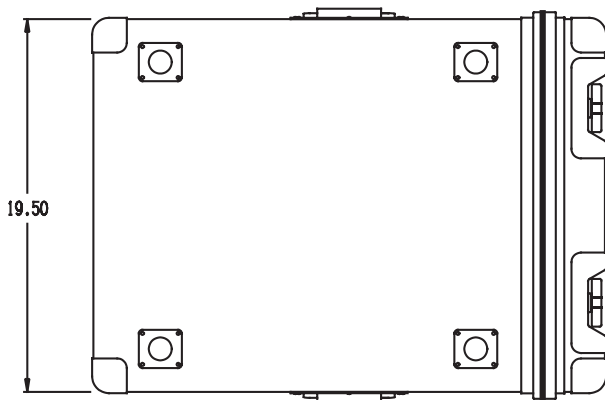
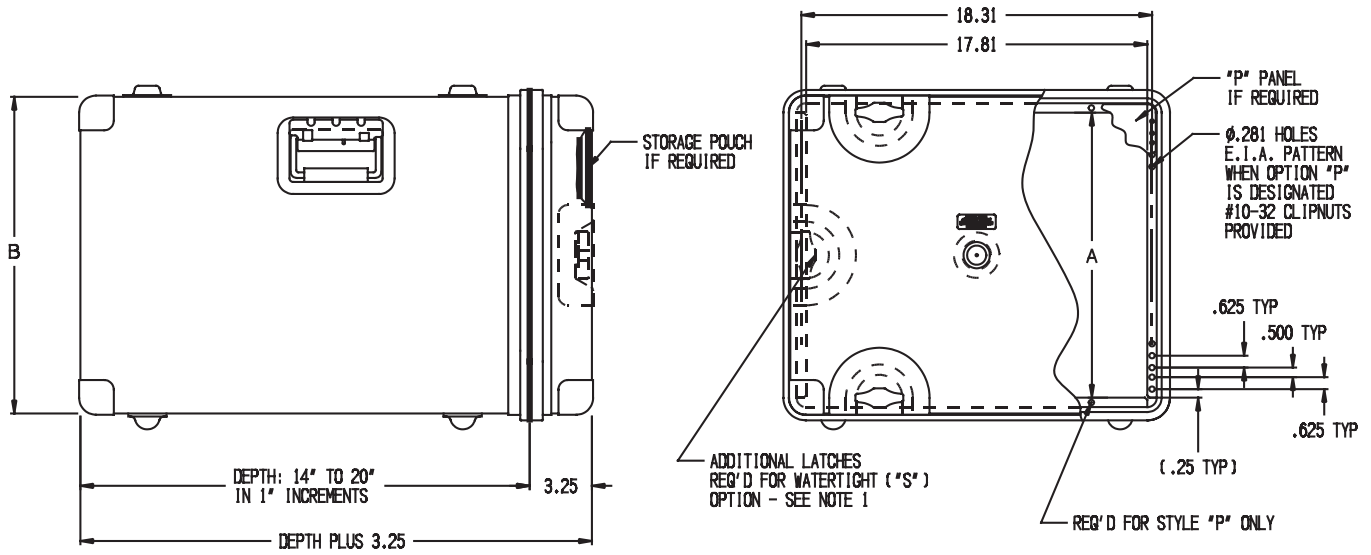
- P = WITH PANEL (REQ'D FOR MIL-T-28800)
- N = WITHOUT PANEL
- 1 = NON-RECESSED HANDLE
- 2 = RECESSED HANDLE
- A = AUTOMATIC VALVE
- M = MANUAL RELIEF VALVE
- N = NOT REQUIRED
- 4 = NOT REQ'D
- 5 = INNER LID FOR COVER
- FINISH (see page 46)
- DEPTH: IN 1" INCREMENTS
- 14" MIN TO 20" MAX
- C = CUSTOMER
- P = STANDARD (E.I.A.)
- N = NOT REQ'D
- PANEL HEIGHT
- D = DRIP PROOF PER MIL-STD-108
- S = WATERTIGHT PER MIL-STD-108
- A = MIL-T-28800, STYLE A
- CASE SERIES

PANEL HEIGHT			
Dash No.	"A" Dim.	"U" Size	"B" Dim.
X	Special Size		
-5	5.25	(3U)	6.94
-7	7.00	(4U)	8.69
-8	8.75	(5U)	10.44
-10	10.50	(6U)	12.19
-14	14.00	(8U)	15.69
-17	17.50	(10U)	19.19
-21	21.00	(12U)	22.69
-24	24.50	(14U)	26.19
-28	28.00	(16U)	29.69

NOTES:

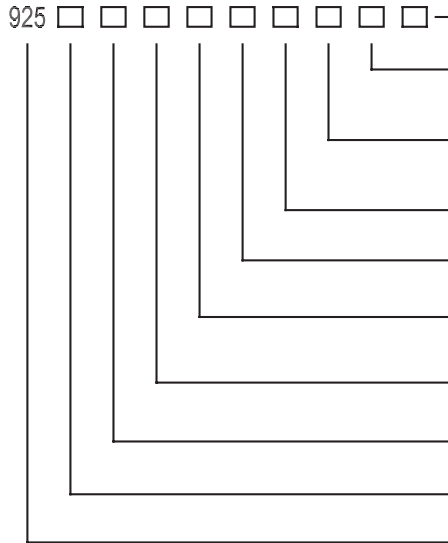
1. ADDITIONAL LATCHES REQUIRED FOR WATERTIGHT ("S") OPTION.
 PANEL HEIGHT DASH NO. 5 ADD: 4 LATCHES (6 TOTAL)
 PANEL HEIGHT DASH NO. 7 THRU 17 ADD: 4 LATCHES (8 TOTAL)
 PANEL HEIGHT DASH NO. 21 THRU 28 ADD: 6 LATCHES (10 TOTAL)

VAL-AN 900 Series - Model 925



CLOSURE DETAIL

PART NUMBER



- P = WITH PANEL
- N = WITHOUT PANEL
- 1 = NON-RECESSED HANDLE
- 2 = RECESSED HANDLE
- A = AUTOMATIC VALVE
- M = MANUAL RELIEF VALVE
- N = NOT REQUIRED
- 4 = NOT REQ'D
- 5 = INNER LID FOR COVER
- FINISH (see page 46)
- DEPTH: IN 1" INCREMENTS
- 14" MIN TO 20" MAX
- C = CUSTOMER
- P = STANDARD (E.I.A.)
- N = NOT REQ'D
- PANEL HEIGHT
- D = DRIP PROOF PER MIL-STD-108
- S = WATERTIGHT PER MIL-STD-108
- CASE SERIES

PANEL HEIGHT			
Dash No.	"A" Dim.	"U" Size	"B" Dim.
X	Special Size		
-5	Not Available - See 920 Series		
-7	7.00	(4U)	8.69
-8	8.75	(5U)	10.44
-10	10.50	(6U)	12.19
-14	14.00	(8U)	15.69
-17	17.50	(10U)	19.19
-21	21.00	(12U)	22.69
-24	24.50	(14U)	26.19
-28	28.00	(16U)	29.69

NOTES:

1. ADDITIONAL LATCHES REQUIRED FOR WATERTIGHT ("S") OPTION.
 PANEL HEIGHT DASH NO. 7 THRU 17 ADD: 4 LATCHES (8 TOTAL)
 PANEL HEIGHT DASH NO. 21 THRU 28 ADD: 6 LATCHES (10 TOTAL)

